

90881 Series Wall Mount Maintenance Bypass Breaker Panels

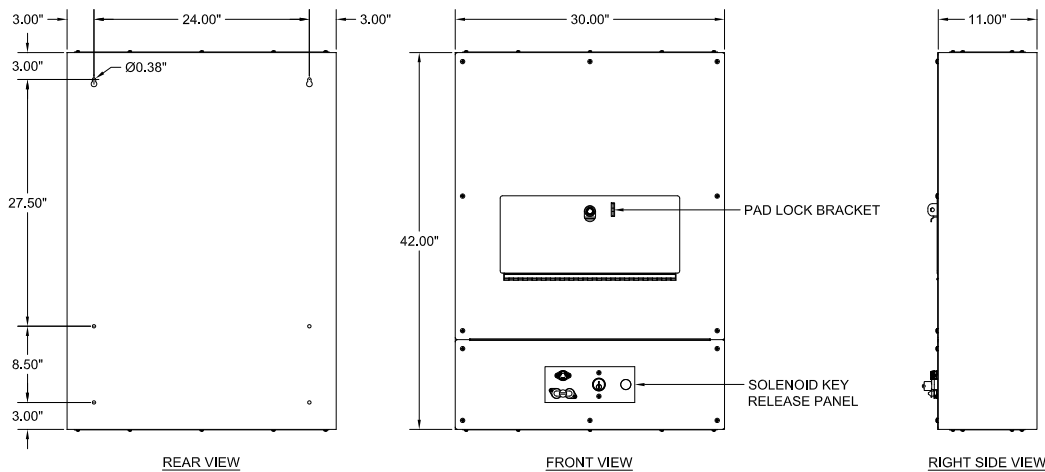
UPS Peripherals



- Multiple system configurations
- Three breaker design (250A-400A)
- 30 inch wide wall mount design
- Compact design minimizes footprint
- Available in 35K and 65K AIC ratings
- Optional solenoid key release for added safety

C&C Power offers Wall Mount Maintenance Bypass Breaker Panels available in multiple configurations. The 90881 Series MBBC allows the end user to safely isolate the UPS from utility power and from the load to perform regular service and maintenance.

Our wall mount bypass panels are available in 35K or 65K AIC ratings for 480V applications, and 65K AIC ratings for 208V applications. An SKRU (solenoid key release) option is available for added safety.



Part Number Configuration

90881 - C 208 3 65 EC 0250 05 MB

1

2

3

4

5

6

7

8

9

1. Cabinet Type

90881 Series

2. Customer Code

C&C Power specific customer code

3. Input & Output Voltage

208 = 208VAC 3PH/4W
480 = 480VAC 3PH/4W

4. Bypass Configuration Breakers

3 = 3 Breakers

5. AIC Rating

35 = 35K (480V models only)
65 = 65K (available on all voltages)

6. Breaker Type

EC = Eaton/Cutler Hammer Series C

7. Bypass Configuration Breaker Size

0250 = 250 Amps, 0300 = 300 Amps
0350 = 350 Amps, 0400 = 400 Amps

8. Lock Configuration

02 = Configuration #2
05 = Configuration #5
06 = Configuration #6

9. Color Code

MB = Black
QB = Beige